

 www.planbsystems.net

 admin@planbsystems.net

 +1 352 444 7076



Electric Motors for 2 Wheel Applications

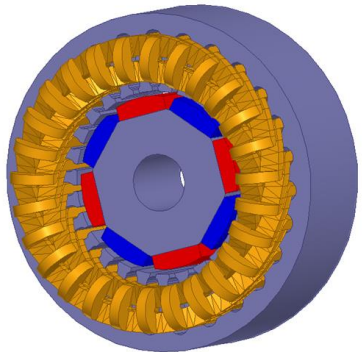


Femsan highly specialized at Electric Motor's



Design

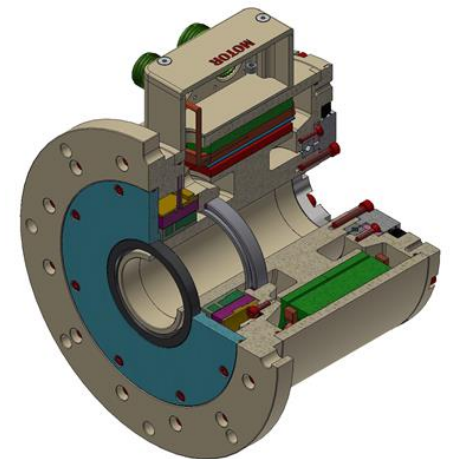
- Electromagnetic
- Structural
- Thermal Analysis



Production

- PMSM Motors
- BLDC
- BLAC

- ✓ Safety
- ✓ Reliability
- ✓ Compatibility





Electric
Motor
Range

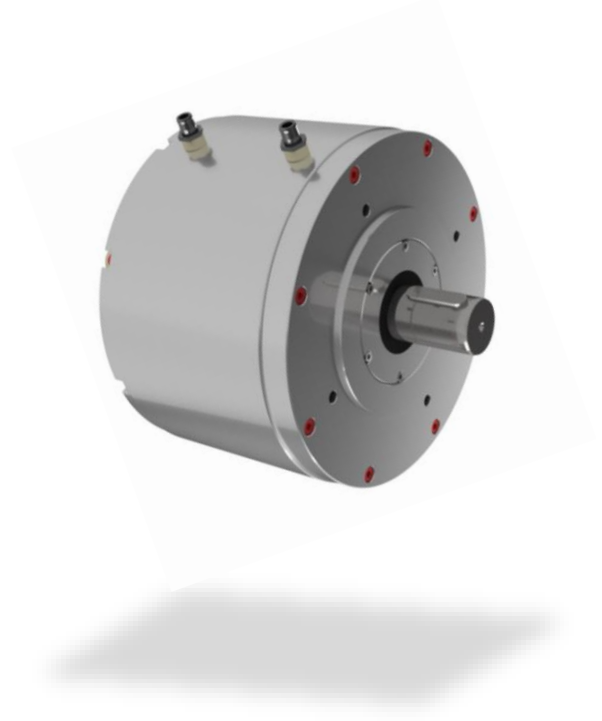


- Brushless
 - Torque
 - Slotless
 - Frameless
 - Slotted BLDC
 - Outer Runner (Hub)



- Brushed
 - PM
 - Wound

***E-Mobility and
Unmanned Vehicles***



E – Bike Solution

- 48 V. DC Supply
- 3 Phase
- 2.5 kW. Output
- 3600 rpm
- 6.4 Nm. Rated Torque

- ✓ Customer from Germany
- ✓ Under development phase



E – Dirt Bike Solution

- 360 V. DC Supply
- 3 Phase
- 30 kW. Output
- 8200 rpm
- 35 Nm. Rated Torque
- 100 Nm. Peak Torque
- Liquid Cooling

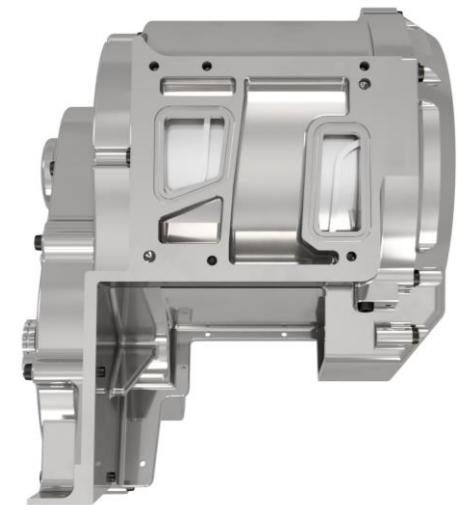
- ✓ Customer from Spain
- ✓ Serial production phase



E – Dirt Bike Solution

- 72 V. DC Supply
- 12 Phase
- 48 kW. Output
- 9000 rpm
- 50 Nm. Rated Torque
- 150 Nm. Peak Torque
- Liquid Cooling

- ✓ Customer from Czech Republic
- ✓ Prototyping phase



Your potential solution partner for both

- Engineering of Powertrain
- Production of Electric Motors
 - Built to print. Client design
 - Benchmarking
 - Femsan current range

