



Motor Requirement Form

Plan B Reference	Date
Customer Reference	
Company Name	
Company Address	
Contact	Telephone
Email	Title



Plan B Reference

Customer Reference

Motor Type

Quote Due Date

Market

Application

Prototype/Sample Quantity

Prototype/Sample Need Date

Estimated Annual Production Usage	Year 1	Year 2	Year 3
Estimated Quantity			
Target Price			

Notes/Instructions

Feedback Device Required

Supply Voltage:

Max Current Limit:

Max Power Input:

Added Features

Gearhead

Gearhead Type

Brake

Ball Screw

Pitch_____ Length_____

Other

Commutation/Drive

Electrical Interface

Describe:_____

Performance Requirements:

Spec Item	Units	Comments	Tolerance
Torque at Load			
Speed at Load			
Current			
No Load Current			
Peak Torque (Max)			
Stall Torque			
Output Power			
Efficiency			
Weight			
Acoustic Noise			
Duty Cycle_____ %		Continuous Duration_____	Intermittent Off_____ On_____

Electrical Requirements if applicable:

Spec Item	Unit	Value	Tolerance
Torque Constant Kt			
Back EMF Ke			
Terminal Resistance			
Inductance Lm			
Torque Ripple			
Detent Torque			
Rotor Inertia			
Number of Poles			
Dielectric Requirement			

Environmental and Test Requirements

Spec Item	Units	Value
Max/Min Operating Temp		
Max/Min Storage Temp		
Others: Shock, Vibration, Altitude, Sand, Ice, EMI, Reliability, Wet/Dry, Pressure, Fluid Humidity Requirement.....		
Qualification Testing Required		

Mechanical Envelope

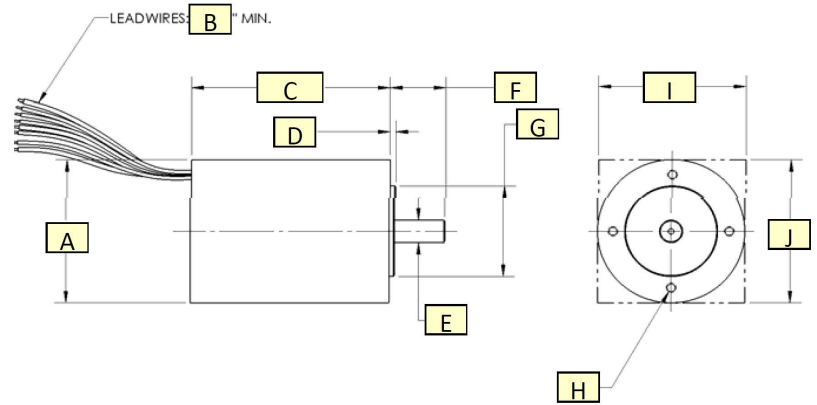
Within Customer Envelope Constraints

Exceptions: _____

Complete Motor

Proposed Dimensions

	Proposed Dimensions	
A		
B		
C		
D		
E		
F		
G		
H		
I		
J		



Additional Customer Notes: